



EDIFACT Version D Release 00B

**COPARN
Container Pre-Announcement**

Message Implementation Guide

Version 1.1.0

Change history

Version	Date	Comments
1.0.0	21-Sep-2018	Initial version
1.0.1	24-Sep-2018	Minor corrections and additions
1.0.2	25-Sep-2018	Adding some remarks / Correcting typos and layout
1.1.0	06-Mar-2019	Updated to the newest HSDG standard mapping

Contact our GLOBE Export EDI Team:

Hamburg Süd
GLOBE Export EDI

Willy-Brandt-Str. 75
20457 Hamburg
Germany

Email: ham-globe-export-edi@hamburgsud.com

Contents

1	Audience	5
2	General Information	5
2.1	Terminology	5
2.2	Processing Guidelines	6
2.3	Functional Description	6
2.4	Status Indicators and Usage Indicators	7
2.4.1	Status Indicators	7
2.4.2	Usage Indicators	7
2.4.3	Format	8
3	COPARN D00B segment table of contents	9
3.1	Segment: UNB Interchange Header	13
3.2	Segment: UNH Message Header	15
3.3	Segment: BGM Beginning of Message	17
3.4	Segment: DTM Date/Time/Period	18
3.5	Group: RFF Segment Group 1: Reference	19
3.5.1	Segment: RFF Reference	20
3.5.2	Segment: DTM Date/Time/Period	21
3.6	Group: TDT Segment Group 2: Details of Transport	22
3.6.1	Segment: TDT Details of Transport	23
3.6.2	Segment: RFF Reference	26
3.6.3	Group: LOC Segment Group 3: Place/Location Identification	27
3.6.3.1	Segment: LOC Place/Location Identification	28
3.6.3.2	Segment: DTM Date/Time/Period	30
3.6.4	Group: NAD Segment Group 4: Name and Address	32
3.6.5	Segment: NAD Name and Address	33
3.7	Group: GID Segment Group 6: Goods Item Details	36
3.7.1	Segment: GID Goods Item Details	37
3.7.2	Segment: FTX Free Text	39
3.8	Group: EQD Segment Group 13: Equipment Details	40
3.8.1	Segment: EQD Equipment Details	41
3.8.2	Segment: EQN Number of Units	43
3.8.3	Segment: LOC Place/Location Identification	44
3.8.4	Segment: MEA Measurements	46
3.8.5	Segment: DIM Dimensions	48
3.8.6	Group: TMP Segment Group 14: Temperature	50

3.8.6.1	Segment: TMP Temperature	51
3.8.6.2	Segment: RNG Range Details.....	52
3.8.7	Segment: FTX Free Text	53
3.8.8	Group: DGS Segment Group 15: Dangerous Goods	55
3.8.9	Segment: DGS Dangerous Goods	56
3.8.9.1	Segment: FTX Free Text	58
3.8.9.2	Segment: CNT Control Total	60
3.9	Segment: UNT Message Trailer	61
3.10	Segment: UNZ Interchange Trailer.....	62
4	Example Messages	63
4.1	Basic COPARN Example	63
4.2	Detailed REEFER COPARN Example	65
4.3	Detailed DG COPARN Example.....	67
4.4	OOG COPARN Example.....	69
4.5	Break Bulk COPARN Example.....	70

1 Audience

This document is intended for business, technical and EDI personnel engaged in establishing an electronic connection with Hamburg Süd for the purpose of receiving container pre-announcements from Hamburg Süd via EDIFACT Release D00B COPARN.

The following chapters provide information regarding general conventions and message specifications.

2 General Information

2.1 Terminology

Within this manual specific terminology will be used that you may not be familiar with. In order to give you some guidance, please find below the most important EDI terms and their according definitions.

Directory

An EDI directory is published every 6 months in form of versions. The version name of the directory is named by 4 character mnemonic code made up of the year and part of year (identified by A or B). For example, the specifications within this manual conform to the directory approved by the United Nations in the second half of 2000 with a directory mnemonic code of D00B.

Each directory contains sub-directories for messages, segments, composites and data elements, all of which may change with directory versions. However, since a directory version is permanent, there is no need to update computer applications when specific directory has been adopted.

Interchange

An interchange is a group of messages that are sent in one transmission. This means that it is possible to have more than one message within an interchange.

Message

A message can be described as a business transaction. Therefore, where appropriate, a message is often referred to as a transaction rather than a message. A transaction could be a new entry, a new line, a change to a line, a cancellation of line etc.

A full list of messages can be retrieved from a sub-directory within all directory versions, called the message directory. Each message has its own description and structure, which may differ by directory version.

Segment

A segment is uniquely identified by a 3 character mnemonic tag, which is used as a reference to a common group of business information. Usually this will mean one segment contains one item of business data (i.e. field or attribute). For example Place of Origin, Port of Loading, Port of Discharge are all locations. So the segment for location is used, called LOC. There are, however, segments that include more than one item of business data. For example Transport Mode and Voyage Number and Vessel are all classified as transport details included in the TDT segment.

Whilst a message has a standard structure of segments, there is also a separate subdirectory for segments within directory versions, known as the segment directory. Each segment has its own description and structure, which may differ by directory version.

Service Segment

A service segment is a segment that contains non-business related data. These segments usually encompass interchanges and messages, in the form of headers and trailers. For example UNB and UNZ service segments are header and trailer for an interchange and the UNH and UNT segments are header and trailer for message.

Segment Group

A segment group is a collection of segments that are related within a message structure. A simple example would be a group for details of transport. This would typically include a segment for the voyage (using TDT), reference (using RFF) and the locations (using LOC).

Composite Element

A composite element is a lower level of detail to identify business data within segment. It is normally used when a data item requires additional information. Each composite element has a unique code identifying it. A composite element could be used, for example when a data item is in the form of a code and it requires a type qualifier and also organization responsible for its maintenance. In case a group of data elements would be used to make composite element.

Whilst a segment has a standard structure of segments, there is also a separate subdirectory for composite elements within directory versions, known as the composite data element directory. Each composite element has its own description and structure, which may differ within directory version.

Data Element

A data element is the lowest level within the EDI structure for holding data. Each data element has a unique code identifying it. A data element can exist as a stand-alone element or as a sub-element within a composite element.

There is also a separate sub-directory for data elements within directory versions, known as the data element directory. Like many other sub-directories, the data element directory contains descriptions and other information. In addition, some data elements also have associated code lists, which are published by organizations such as the International Standards Organization (ISO). However, the United Nations also has its own code lists and, in addition, it is often possible for trading partner to use their own.

2.2 Processing Guidelines

Hamburg Süd is sending container pre-announcements via COPARN messages to the customer. A single message contains only one booking.

EDI communication depends on trading partnership and will be mutually defined within a separate agreement. Common protocols for the transmission of messages are e.g. FTP or SFTP.

2.3 Functional Description

Hazardous Material

Please note that all necessary information about Hazardous Material is being reported in the DGS segments and the FTX segments following right after the DGS.

2.4 Status Indicators and Usage Indicators

2.4.1 Status Indicators

Status Indicators (“M” and “C”) form part of the EDIFACT standard and indicate a minimum requirement to fulfill the needs of the message structure. They are not adequate for implementation purposes.

The Status Indicators are:

<u>Value</u>	<u>Description</u>
M	Mandatory The entity marked as such must appear in all messages, and apply to these messages as well as to any associated implementation guidelines (and consequently is also a Usage Indicator).
C	Conditional The entity is used by agreement between trading partners

2.4.2 Usage Indicators

Usage Indicators are implementation–related indicators that further detail the use of “Conditional” Status Indicators. Usage Indicators are applied at all levels of the guidelines and shown adjacent to data items such as segment groups, segments, composite data elements and simple data elements. They dictate the agreed usage of the data items or entities.

The Usage Indicators are:

<u>Value</u>	<u>Description</u>
M	Mandatory Indicates the item is mandatory in the UN/EDIFACT message.
R	Required Indicates the item must be transmitted in this implementation.
D	Dependent Indicates that the use of the item is depending on a well-defined condition or set of conditions. These conditions must be clearly specified in the relevant implementation guideline.
O	Optional Indicates that this item is at the need or discretion of both trading partners.
X	Not Used Indicates that this item is not used in this implementation. If present, it will be disregarded.
NA	Not Recommended (Advised) Indicates the item needn’t be transmitted in this implementation.
A	Advised Indicates the item is recommended to be transmitted in this implementation.

Where an item within a segment group, segment or composite data element is marked with Usage Indicators “M” or “R”, but the segment group, segment or composite data element has been marked “O” or “D” (or for that matter “X”), the item is only to be transmitted when the segment group, segment or composite of which it is a part, is used.

2.4.3 Format

The format is used to describe the official format requirements within D00B directory

Examples

a3	3 alphabetic characters, fixed length
n6	6 numeric characters, fixed length
an5	5 alphanumeric characters, fixed length
a..6	up to 6 alphabetic characters
an..35	up to 35 alphanumeric characters
n..6	up to 6 numeric characters

3 COPARN D00B segment table of contents

Introduction:

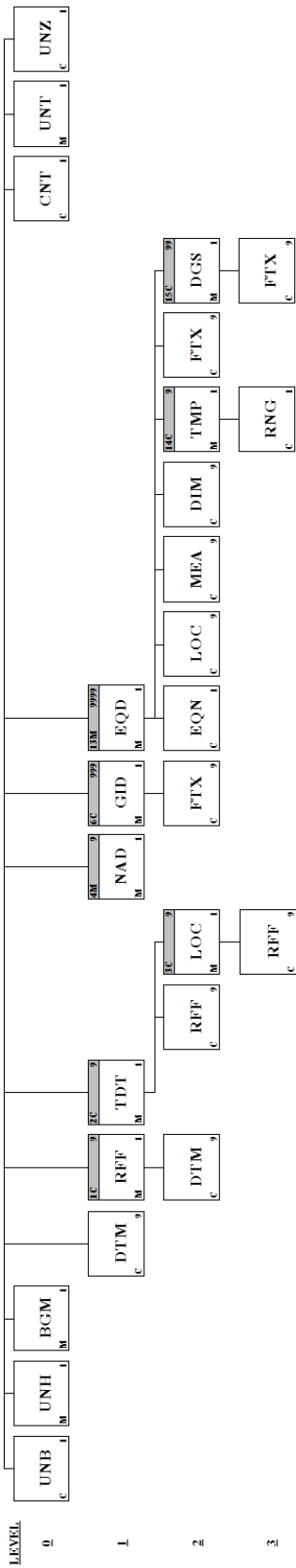
The message contains an order to release, to make available, to accept or to call down containers or to announce the impending arrival of containers.

This message is part of a total set of container-related messages. These messages serve to facilitate the intermodal handling of containers by streamlining the information exchange. The order may pertain to cargo related containers (full container load and less than container load), the arrangement of empty containers prior to loading and after stripping, as well as the arrangements for leasing the empty containers (on- hire and off-hire of containers).

	<u>Pos. No.</u>	<u>Seg. ID</u>	<u>Name</u>	<u>Req. Des.</u>	<u>Max.Use</u>	<u>Group Repeat</u>	<u>Notes and Comments</u>
M	0005	UNB	Interchange Header	M	1		
M	0010	UNH	Message Header	M	1		
M	0020	BGM	Beginning of Message	M	1		
X	0030	TMD	Transport Movement Details	C	1		
R	0040	DTM	Date/Time/Period	C	9		
X	0050	TSR	Transport Service Requirements	C	9		
X	0060	FTX	Free Text	C	99		
X	0070	LOC	Place/Location Identification	C	9		
R	0080		Segment Group 1: RFF-DTM	C		9	
M	0090	RFF	Reference	M	1		
R	0100	DTM	Date/Time/Period	C	9		
D	0110		Segment Group 2: TDT-DTM-RFF-SG3	C		9	
M	0120	TDT	Details of Transport	M	1		
X	0130	DTM	Date/Time/Period	C	9		
D	0140	RFF	Reference	C	9		
R	0150		Segment Group 3: LOC-DTM	C		9	
M	0160	LOC	Place/Location Identification	M	1		
A	0170	DTM	Date/Time/Period	C	9		
M	0180		Segment Group 4: NAD-SG5-RFF-DTM	M		9	
M	0190	NAD	Name and Address	M	1		
X	0200		Segment Group 5: CTA-COM	C		9	
X	0210	CTA	Contact Information	M	1		
X	0220	COM	Communication Contact	C	9		
X	0230	RFF	Reference	C	9		
X	0240	DTM	Date/Time/Period	C	9		
R	0250		Segment Group 6: GID-HAN-FTX-RFF-PIA-SG7-MEA-DIM-SG8-SG9-SG10-SG12	C		999	
M	0260	GID	Goods Item Details	M	1		
X	0270	HAN	Handling Instructions	C	9		
D	0280	FTX	Free Text	C	9		
X	0290	RFF	Reference	C	9		
X	0300	PIA	Additional Product Id	C	9		

X	0310		Segment Group 7: NAD-DTM-RFF	C	99
X	0320	NAD	Name and Address	M	1
X	0330	DTM	Date/Time/Period	C	9
X	0340	RFF	Reference	C	9
X	0350	MEA	Measurements	C	9
X	0360	DIM	Dimensions	C	9
X	0370		Segment Group 8: DOC-DTM-LOC	C	9
X	0380	DOC	Document/Message Details	M	1
X	0390	DTM	Date/Time/Period	C	9
X	0400	LOC	Place/Location Identification	C	9
X	0410		Segment Group 9: SGP-MEA	C	999
X	0420	SGP	Split Goods Placement	M	1
X	0430	MEA	Measurements	C	9
X	0440		Segment Group 10: DGS-FTX-MEA-SG11	C	99
X	0450	DGS	Dangerous Goods	M	1
X	0460	FTX	Free Text	C	9
X	0470	MEA	Measurements	C	9
X	0480		Segment Group 11: CTA-COM	C	9
X	0490	CTA	Contact Information	M	1
X	0500	COM	Communication Contact	C	9
X	0510		Segment Group 12: TMP-RNG	C	9
X	0520	TMP	Temperature	M	1
X	0530	RNG	Range Details	C	1
M	0540		Segment Group 13: EQD-RFF-EQN-TMD-DTM-TSR-LOC-MEA-DIM-SG14-SEL-FTX-PCD-SG15-MOA-GOR-EQA-COD-HAN-SG17-SG18-SG20	M	9999
M	0550	EQD	Equipment Details	M	1
X	0560	RFF	Reference	C	9
R	0570	EQN	Number of Units	C	1
X	0580	TMD	Transport Movement Details	C	9
X	0590	DTM	Date/Time/Period	C	9
X	0600	TSR	Transport Service Requirements	C	9
D	0610	LOC	Place/Location Identification	C	9
R	0620	MEA	Measurements	C	9
D	0630	DIM	Dimensions	C	9
D	0640		Segment Group 14: TMP-RNG	C	9
M	0650	TMP	Temperature	M	1
D	0660	RNG	Range Details	C	1
X	0670	SEL	Seal Number	C	9
D	0680	FTX	Free Text	C	9
X	0690	PCD	Percentage Details	C	9
D	0700		Segment Group 15: DGS-FTX-MEA-SG16	C	99
M	0710	DGS	Dangerous Goods	M	1
D	0720	FTX	Free Text	C	9
X	0730	MEA	Measurements	C	9

X	0740		Segment Group 16: CTA-COM	C	9
X	0750	CTA	Contact Information	M	1
X	0760	COM	Communication Contact	C	9
X	0770	MOA	Monetary Amount	C	9
X	0780	GOR	Governmental Requirements	C	9
X	0790	EQA	Attached Equipment	C	1
X	0800	COD	Component Details	C	1
X	0810	HAN	Handling Instructions	C	9
X	0820		Segment Group 17: DAM-COD	C	9
X	0830	DAM	Damage	M	1
X	0840	COD	Component Details	C	1
X	0850		Segment Group 18: TDT-DTM-SG19	C	9
X	0860	TDT	Details of Transport	M	1
X	0870	DTM	Date/Time/Period	C	9
X	0880		Segment Group 19: LOC-DTM	C	9
X	0890	LOC	Place/Location Identification	M	1
X	0900	DTM	Date/Time/Period	C	9
X	0910		Segment Group 20: NAD-DTM-CTA-COM-RFF	C	9
X	0920	NAD	Name and Address	M	1
X	0930	DTM	Date/Time/Period	C	1
X	0940	CTA	Contact Information	C	1
X	0950	COM	Communication Contact	C	1
X	0960	RFF	Reference	C	9
R	0970	CNT	Control Total	C	1
M	0980	UNT	Message Trailer	M	1
M	0990	UNZ	Interchange Trailer	M	1



3.1 Segment: UNB Interchange Header

Position: 0005
Group:
Level: 0
Usage: Conditional (Required)
Max Use: 1
Purpose: To start, identify and specify an interchange
Comments:
Notes:

```

Example Syntax:
UNB+UNOC:3+HSD+[RECEIVERID]+191224:2359+321789'
    
```

Data Element Summary

	<u>Data Element</u>	<u>Component Element</u>	<u>Name</u>	<u>Attributes</u>
M	S001		SYNTAX IDENTIFIER Identification of the agency controlling the syntax and indication of syntax level.	M 1
M		0001	Syntax identifier Coded identification of the agency controlling a syntax and syntax level used in an interchange. Provided values: UNOC UN/ECE level C As defined in ISO 8859-1 : Information processing - Part 1: Latin alphabet No. 1.	M a4
M		0002	Syntax version number Version number of the syntax identified in the syntax identifier (0001). Provided values: 3 Version 3 ISO 9735 Amendment 1:1992.	M n1
M	S002		INTERCHANGE SENDER Identification of the sender of the interchange.	M 1
M		0004	Sender identification Name or coded representation of the sender of a data interchange. Provided values: HSD Hamburg Süd	M an..35
X		0007	Partner identification code qualifier	C an..4
X		0008	Address for reverse routing	C an..14
M	S003		INTERCHANGE RECIPIENT Identification of the recipient of the interchange.	M 1
M		0010	Recipient identification Name or coded representation of the recipient of a data interchange. Receiver ID of trading partner	M an..35
X		0007	Partner identification code qualifier	C an..4
X		0014	Routing address	C an..14
M	S004		DATE AND TIME OF PREPARATION Date and time of preparation of the interchange.	M 1

M		0017	Date of preparation	M	n6
			Local date when an interchange or a functional group was prepared. Used format: YYMMDD		
M		0019	Time of preparation	M	n4
			Local time of day when an interchange or a functional group was prepared. Used format: hhmm		
M	0020		INTERCHANGE CONTROL REFERENCE	M	1 an..14
			Unique reference assigned by the sender to an interchange.		
X	S005		RECIPIENTS REFERENCE PASSWORD	C	1
			Reference or password as agreed between the communicating partners.		
X		0022	Recipient reference/password	M	an..14
			Unique reference assigned by the recipient to the data interchange or a password to the recipient's system or to a third party network as specified in the partners interchange agreement.		
X		0025	Recipient reference/password qualifier	C	an2
			Qualifier for the recipient's reference or password.		
X	0026		APPLICATION REFERENCE	C	1 an..14
X	0029		PROCESSING PRIORITY CODE	C	1 a1
X	0031		ACKNOWLEDGEMENT REQUEST	C	1 n1
X	0032		COMMUNICATIONS AGREEMENT ID	C	1 an..35
X	0035		TEST INDICATOR	C	1 n1

3.2 Segment: UNH Message Header

Position: 0010
Group:
Level: 0
Usage: Mandatory
Max Use: 1
Purpose: A service segment starting and uniquely identifying a message.
Comments:
Notes:

```
Example Syntax:
UNH+210987+COPARN:D:00B:UN:SMDG20'
```

Data Element Summary

	<u>Data Element</u>	<u>Component Element</u>	<u>Name</u>	<u>Attributes</u>
M	0062		MESSAGE REFERENCE NUMBER Unique message reference assigned by the sender.	M 1 an..14
M	S009		MESSAGE IDENTIFIER Identification of the type, version etc. of the message being interchanged.	M 1
M		0065	Message type identifier Code identifying a type of message and assigned by its controlling agency. Provided values:	M an..6
			COPARN Container announcement message	
M		0052	Message type version number Version number of a message type. Provided values:	M an..3
			D Draft version/UN/EDIFACT Directory Message approved as a standard message (Valid for directories published after March 1997).	
M		0054	Message type release number Release number within the current message type version number (0052). Provided values:	M an..3
			00B Release 2000 - B	
M		0051	Controlling agency Code identifying the agency controlling the specification, maintenance and publication of the message type. Provided values:	M an..2
			UN UN/CEFACT United Nations Centre for Trade Facilitation and Electronic Business (UN/CEFACT).	
R		0057	Association assigned code Code, assigned by the association responsible for the design and maintenance of the message type concerned, which further identifies the message. Provided values:	C an..6
			SMDG20 SMDG (Ship-planning Message Design Group) User Manual version 2.0	

X	0068	COMMON ACCESS REFERENCE	C	1 an..35
X	S010	STATUS OF THE TRANSFER	C	1
		Statement that the message is one in a sequence of transfers relating to the same topic.		
X	0070	Sequence message transfer number	M	n..2
		Number assigned by the sender indicating that the message is an addition or change of a previously sent message relating to the same topic.		
X	0073	First/last sequence message transfer indication	C	a1
		Indication used for the first and last message in a sequence of the same type of message relating to the same topic.		

3.3 Segment: **BGM Beginning of Message**

Position: 0020
Group:
Level: 0
Usage: Mandatory
Max Use: 1
Purpose: To indicate the type and function of a message.
Comments:
Notes:

Example Syntax
BGM+126+194194+9'

Data Element Summary

	<u>Data Element</u>	<u>Component Element</u>	<u>Name</u>	<u>Attributes</u>
R	C002		DOCUMENT/MESSAGE NAME Identification of a type of document/message by code or name. Code preferred.	C 1
R		1001	Document name code Code specifying the document name. Provided values: 126 Transport equipment acceptance order Order to accept items of transport equipment which are to be delivered by an inland carrier (rail, road or barge) to a specified facility.	C an..3
X		1131	Code list identification code	C an..17
X		3055	Code list responsible agency code	C an..3
X		1000	Document name	C an..35
R	C106		DOCUMENT/MESSAGE IDENTIFICATION Identification of a document/message by its number and eventually its version or revision.	C 1
R		1004	Document identifier To identify a document.	C an..35
X		1056	Version identifier	C an..9
X		1060	Revision identifier	C an..6
R	1225		MESSAGE FUNCTION CODE Code indicating the function of the message. Provided values: 1 Cancellation Message cancelling a previous transmission for a given transaction. 5 Replace Message replacing a previous message. 9 Original Initial transmission related to a given transaction.	C 1 an..3
X	4343		RESPONSE TYPE CODE	C 1 an..3

3.4 Segment: **DTM Date/Time/Period**

Position: 0040
Group:
Level: 1
Usage: Conditional (Required)
Max Use: 9
Purpose: A segment to indicate a date and time applying the message as a whole: - requested equipment positioning date and/or time - expected on-hire date and/or time - expected return period

Comments:

Notes: Example Syntax:
 DTM+137:201812242359:203'

Data Element Summary

	<u>Data Element</u>	<u>Component Element</u>	<u>Name</u>	<u>Attributes</u>
M	C507		DATE/TIME/PERIOD Date and/or time, or period relevant to the specified date/time/period type.	M 1
M		2005	Date or time or period function code qualifier Code qualifying the function of a date, time or period. Provided values: 137 Document/message date/time	M an..3
R		2380	Date or time or period value The value of a date, a date and time, a time or of a period in a specified representation.	C an..35
R		2379	Date or time or period format code Code specifying the representation of a date, time or period. Provided values: 203 CCYYMMDDhhmm Calendar date including time with minutes: C=Century; Y=Year; M=Month; D=Day; h=Hour; m=Minutes.	C an..3

3.5 Group: RFF Segment Group 1: Reference

Position: 0080
Group:
Level: 1
Usage: Conditional (Required)
Max Use: 9
Purpose: A group of segments to specify a reference relating to the whole message, and its date and/or time.

Segment Summary

	<u>Pos. No.</u>	<u>Seg. ID</u>	<u>Name</u>	<u>Req. Des.</u>	<u>Max. Use</u>	<u>Group: Repeat</u>
M	0090	RFF	Reference	M	1	
A	0100	DTM	Date/Time/Period	C	9	

3.5.1 Segment: RFF Reference

Position: 0090 (Trigger Segment)
Group: Segment Group 1 (Reference) Conditional (Required)
Level: 1
Usage: Mandatory
Max Use: 1
Purpose: A segment to express a reference which applies to the entire message:
 - booking reference number
 - reference to previous message

Comments:

Notes: Example Syntax:

RFF+BN+8HAM010203'

RFF+ACW+123456'

Data Element Summary

	<u>Data Element</u>	<u>Component Element</u>	<u>Name</u>	<u>Attributes</u>
M	C506		REFERENCE Identification of a reference.	M 1
M		1153	Reference code qualifier Code qualifying a reference. Provided values: BN Booking reference number [1016] Reference number assigned by the carrier or his agent when cargo space is reserved prior to loading. ACW Reference number to previous message Reference number assigned to the message which was previously issued (e.g. in the case of a cancellation, the primary reference of the message to be cancelled will be quoted in this element).	M an..3
R		1154	Reference identifier Identifies a reference.	C an..70
X		1156	Document line identifier	C an..6
X		4000	Reference version identifier	C an..35
X		1060	Revision identifier	C an..6

3.5.2 Segment: DTM Date/Time/Period

Position: 0100
Group: Segment Group 1 (Reference) Conditional (Required)
Level: 2
Usage: Conditional (Advised)
Max Use: 9
Purpose: A segment to indicate date and/or time related to the reference.

Comments:

Notes: Example Syntax:

DTM+36:190131:101'

Data Element Summary

	<u>Data Element</u>	<u>Component Element</u>	<u>Name</u>	<u>Attributes</u>
M	C507		DATE/TIME/PERIOD Date and/or time, or period relevant to the specified date/time/period type.	M 1
M		2005	Date or time or period function code qualifier Code qualifying the function of a date, time or period. Provided values: 36 Expiry date Date of expiry of the validity of a referenced document, price information or any other referenced data element with a limited validity period.	M an..3
R		2380	Date or time or period value The value of a date, a date and time, a time or of a period in a specified representation.	C an..35
R		2379	Date or time or period format code Code specifying the representation of a date, time or period. Provided values: 101 YYMMDD Calendar date: Y = Year; M = Month; D = Day.	C an..3

3.6 Group: TDT Segment Group 2: Details of Transport

Position: 0110
Group:
Level: 1
Usage: Conditional (Dependent)
Max Use: 9
Purpose: A group of segments to indicate details of the movement of containers by sea and by inland carriers, such as mode and means of transport, and locations.

Segment Summary

	<u>Pos. No.</u>	<u>Seg. ID</u>	<u>Name</u>	<u>Req. Des.</u>	<u>Max. Use</u>	<u>Group: Repeat</u>
M	0120	TDT	Details of Transport	M	1	
D	0140	RFF	Reference	C	9	
R	0150		Segment Group 3: Place/Location Identification	C		9

3.6.1 Segment: **TDT Details of Transport**

Position: 0120 (Trigger Segment)
Group: Segment Group 2 (Details of Transport) Conditional (Dependent)
Level: 1
Usage: Mandatory
Max Use: 1
Purpose: A segment to indicate information related to the main carriage stage of the transport (sea), such as voyage number or indication sea transport, vessel and carrier or liner.
 - Main-carriage transport (sea)

Comments:

Notes: Example Syntax:
 TDT+20+809E+1++HSD:172:306:HAMBURG SUD+++5060794:146:11:CAP SAN DIEGO'

Data Element Summary

	<u>Data Element</u>	<u>Component Element</u>	<u>Name</u>	<u>Attributes</u>
M	8051		TRANSPORT STAGE CODE QUALIFIER Code qualifying a specific stage of transport. Provided values: 20 Main-carriage transport The primary stage in the movement of cargo from the point of origin to the intended destination.	M 1 an..3
R	8028		MEANS OF TRANSPORT JOURNEY IDENTIFIER To identify a journey of a means of transport. The provided value is the vessel operator's voyage number. If this number is unknown, the Hamburg Süd voyage number will be provided.	C 1 an..17
R	C220		MODE OF TRANSPORT Method of transport code or name. Code preferred.	C 1
R		8067	Transport mode name code Code specifying the name of a mode of transport. Provided values: 1 Maritime transport	C an..3
X		8066	Transport mode name	C an..17
X	C228		TRANSPORT MEANS Code and/or name identifying the type of means of transport.	C 1
X		8179	Transport means description code Code specifying the means of transport.	C an..8
X		8178	Transport means description Free form description of the means of transport.	C an..17
R	C040		CARRIER Identification of a carrier by code and/or by name. Code preferred.	C 1

R		3127	Carrier identifier To identify a carrier. Provided values: ALI Aliança HSD Hamburg Süd	C	an..17
R		1131	Code list identification code Code identifying a code list. Provided values: 172 Carriers Code list identifying carriers.	C	an..17
R		3055	Code list responsible agency code Code specifying the agency responsible for a code list. Provided values: 306 SMDG (Ship-planning Message Design Group)	C	an..3
R		3128	Carrier name Name of a carrier.	C	an..35
X	8101		TRANSIT DIRECTION INDICATOR CODE	C	1 an..3
X	C401		EXCESS TRANSPORTATION INFORMATION To provide details of reason for, and responsibility for, use of transportation other than normally utilized.	C	1
X		8457	Excess transportation reason code Code specifying the reason for excess transportation.	M	an..3
X		8459	Excess transportation responsibility code Code specifying the responsibility for excess transportation.	M	an..3
X		7130	Customer shipment authorisation identifier To identify the authorisation to ship issued by the customer.	C	an..17
R	C222		TRANSPORT IDENTIFICATION Code and/or name identifying the means of transport.	C	1
R		8213	Transport means identification name identifier Identifies the name of the transport means. The provided value is the vessel's Lloyd's number. If no Lloyd's number is known for the vessel, the call-sign will be provided instead.	C	an..9
R		1131	Code list identification code Code identifying a code list. Provided values: 103 Call sign directory A directory of call signs assigned to transport vehicles. 146 Means of transport identification Code identifying the name or number of a means of transport (vessel, vehicle).	C	an..17
R		3055	Code list responsible agency code Code specifying the agency responsible for a code list. Provided values: 11 Lloyd's register of shipping A register of ocean going vessels maintained by Lloyd's of London.	C	an..3
R		8212	Transport means identification name Name identifying a means of transport.	C	an..35

X		8453	Transport means nationality code	C	an..3
X	8281		TRANSPORT MEANS OWNERSHIP INDICATOR CODE	C	1 an..3

3.6.2 Segment: RFF Reference

Position: 0140
Group: Segment Group 2 (Details of Transport) Conditional (Dependent)
Level: 2
Usage: Conditional (Dependent)
Max Use: 9
Purpose: A segment to provide a reference for the liner service, such as: - conference - marketing organization - syndicate - vessel sharing agreement

Comments:

Notes: Example Syntax:
RFF+VM+DNAI'
RFF+VON+809E'

Data Element Summary

	<u>Data Element</u>	<u>Component Element</u>	<u>Name</u>	<u>Attributes</u>
M	C506		REFERENCE Identification of a reference.	M 1
M		1153	Reference code qualifier Code qualifying a reference. Provided values: VM Vessel identification (8123) Reference identifying a vessel (UN/ECE Recommendation No 10). VON Voyage number Additional reference assigned by Hamburg Süd to the voyage of a partner's vessel. Reference in previous TDT is the one assigned by the vessel owner.	M an..3
R		1154	Reference identifier Identifies a reference.	C an..70
X		1156	Document line identifier	C an..6
X		4000	Reference version identifier	C an..35
X		1060	Revision identifier	C an..6

3.6.3 Group: **LOC** Segment Group 3: Place/Location Identification

Position: 0150
Group: Segment Group 2 (Details of Transport) Conditional (Dependent)
Level: 2
Usage: Conditional (Required)
Max Use: 9
Purpose: A segment group to indicate places and ports corresponding to a transport stage.

Segment Summary

	Pos. No.	Seg. ID	Name	Req. Des.	Max. Use	Group: Repeat
M	0160	LOC	Place/Location Identification	M	1	
R	0170	DTM	Date/Time/Period	C	9	

3.6.3.1 Segment: LOC Place/Location Identification

Position: 0160 (Trigger Segment)
Group: Segment Group 3 (Place/Location Identification) Conditional (Required)
Level: 2
Usage: Mandatory
Max Use: 1
Purpose: A segment to specify a location associated with a transport stage such as final port or place of discharge or loading.

Comments:

Notes: Example Syntax:

LOC+9+[UN/LOCODE]:139:6:[CITY]+[SMDG_CODE]:72:306:[FACILITY]

Data Element Summary

	<u>Data Element</u>	<u>Component Element</u>	<u>Name</u>	<u>Attributes</u>
M	3227		LOCATION FUNCTION CODE QUALIFIER Code identifying the function of a location. Provided values: 9 Place/port of loading (3334 + 3230) Seaport, airport, freight terminal, rail station or other place at which the goods (cargo) are loaded on to the means of transport being used for their carriage. 11 Place/port of discharge (3392 + 3414) Seaport, airport, freight terminal, rail station or other place at which the goods (cargo) are unloaded from the means of transport having been used for their carriage.	M 1 an..3
R	C517		LOCATION IDENTIFICATION Identification of a location by code or name.	C 1
R		3225	Location name code Code specifying the name of the location. The provided value is a UN/LOCODE.	C an..25
R		1131	Code list identification code Code identifying a code list. Provided values: 139 Port A location having facilities for means of transport to load or discharge cargo.	C an..17
R		3055	Code list responsible agency code Code specifying the agency responsible for a code list. Provided values: 6 UN/ECE (United Nations - Economic Commission for Europe)	C an..3
R		3224	Location name Name of the location.	C an..256
R	C519		RELATED LOCATION ONE IDENTIFICATION Identification the first related location by code or name.	C 1

R		3223	First related location name code	C	an..25
			Code specifying first related location, based on SMDG master terminal facilities code list.		
R		1131	Code list identification code	C	an..17
			Code identifying a code list.		
			Provided values:		
			72 Container terminal		
			Codes for container terminal.		
R		3055	Code list responsible agency code	C	an..3
			Code specifying the agency responsible for a code list.		
			Provided values:		
			306 SMDG (Ship-planning Message Design Group)		
R		3222	First related location name	C	an..70
			Name of first related location.		
X	C553		RELATED LOCATION TWO IDENTIFICATION	C	1
			Identification of second related location by code or name.		
X		3233	Second related location name code	C	an..25
			Code specifying the second related location.		
X		1131	Code list identification code	C	an..17
			Code identifying a code list.		
X		3055	Code list responsible agency code	C	an..3
			Code specifying the agency responsible for a code list.		
X		3232	Second related location name	C	an..70
			Name of the second related location.		
X	5479		RELATION CODE	C	1 an..3

3.6.3.2 Segment: DTM Date/Time/Period

Position: 0170
Group: Segment Group 3 (Place/Location Identification) Conditional (Required)
Level: 3
Usage: Conditional (Advised)
Max Use: 9
Purpose: A segment to specify date(s) and time(s) related to a location.

Dependency Notes:
Semantic Notes:
Comments:

Data Element Summary

	<u>Data Element</u>	<u>Component Element</u>	<u>Name</u>	<u>Attributes</u>
M	C507		DATE/TIME/PERIOD Date and/or time, or period relevant to the specified date/time/period type.	M 1
M		2005	Date or time or period function code qualifier Code qualifying the function of a date, time or period. 132 Arrival date/time, estimated (2348) Date/time when carrier estimates that a means of transport should arrive at the port of discharge or place of destination.	M an..3
		2380	Date or time or period value The value of a date, a date and time, a time or of a period in a specified representation.	C an..35
		2379	Date or time or period format code Code specifying the representation of a date, time or period. Refer to D.00B Data Element Dictionary for acceptable code values.	C an..3

3.6.4 Group: **NAD** Segment Group 4: Name and Address

Position: 0180
Group:
Level: 1
Usage: Mandatory
Max Use: 9
Purpose: A group of segments to identify a party and/or addresses and a related contact and references.

Segment Summary

	Pos. No.	Seg. ID	Name	Req. Des.	Max. Use	Group: Repeat
M	0190	NAD	Name and Address	M	1	

3.6.5 Segment: NAD Name and Address

Position: 0190 (Trigger Segment)
Group: Segment Group 4 (Name and Address) **Mandatory**
Level: 1
Usage: Mandatory
Max Use: 1
Purpose: A segment to identify the party's name and address, and function, and other addresses, such as: - ordering customer - ordering customer agent - message recipient - message sender - place of positioning - place of collection - final place of positioning - carrier agent (sea) - charges payer - place of acceptance name and address - invoice - stripping address - return address - on hire party direct interchange - off hire party direct interchange - container survey agency

Comments:

Notes: Example Syntax:
 NAD+CA+HSD:172:306+HAMBURG SUD'
 NAD+CZ++CONSIGNOR NAME DUMMY'
 NAD+FW+123454321+FORWARDER NAME DUMMY'
 NAD+MR+DUMMY POL TERMINAL:160:87'

Data Element Summary

	<u>Data Element</u>	<u>Component Element</u>	<u>Name</u>	<u>Attributes</u>
M	3035		PARTY FUNCTION CODE QUALIFIER Code giving specific meaning to a party. Provided values:	M 1 an..3
		CA	Carrier (3126) Party undertaking or arranging transport of goods between named points.	
		CF	Container operator/lessee Party to whom the possession of specified property (e.g. container) has been conveyed for a period of time in return for rental payments.	
		CG	Carrier's agent Party authorized to act for or on behalf of carrier.	
		CZ	Consignor (3336) Party which, by contract with a carrier, consigns or sends goods with the carrier, or has them conveyed by him. Synonym: shipper, sender.	
		FW	Freight forwarder Party arranging forwarding of goods.	
		MR	Message recipient	
		MS	Document/message issuer/sender Issuer of a document and/or sender of a message.	
R	C082		PARTY IDENTIFICATION DETAILS Identification of a transaction party by code.	C 1
M	3039		Party identifier Code specifying the identity of a party.	M an..35

		Provided values:		
		ALI	Aliança	
		HSD	Hamburg Süd	
	1131	Code list identification code	C	an..17
		Code identifying a code list.		
		Provided values:		
		160	Party identification Identification of parties, corporates, etc.	
		172	Carriers Code list identifying carriers.	
	3055	Code list responsible agency code	C	an..3
		Code specifying the agency responsible for a code list.		
		Provided values:		
		87	Assigned by carrier Codes assigned by the carrier.	
		306	SMDG (Ship-planning Message Design Group)	
R	C058	NAME AND ADDRESS	C	1
		Unstructured name and address: one to five lines.		
M	3124	Name and address description	M	an..35
		Free form description of a name and address line.		
X	3124	Name and address description	C	an..35
X	3124	Name and address description	C	an..35
X	3124	Name and address description	C	an..35
X	3124	Name and address description	C	an..35
X	C080	PARTY NAME	C	1
		Identification of a transaction party by name, one to five lines. Party name may be formatted.		
X	3036	Party name	M	an..35
		Name of a party.		
X	3036	Party name	C	an..35
		Name of a party.		
X	3036	Party name	C	an..35
		Name of a party.		
X	3036	Party name	C	an..35
		Name of a party.		
X	3036	Party name	C	an..35
		Name of a party.		
X	3045	Party name format code	C	an..3
		Code specifying the representation of a party name.		
X	C059	STREET	C	1
		Street address and/or PO Box number in a structured address: one to four lines.		
X	3042	Street and number or post office box identifier	M	an..35
		To identify a street and number and/or Post Office box number.		
X	3042	Street and number or post office box identifier	C	an..35
X	3042	Street and number or post office box identifier	C	an..35
X	3042	Street and number or post office box identifier	C	an..35
X	3164	CITY NAME	C	1 an..35

X	C819	COUNTRY SUB-ENTITY DETAILS	C	1	
		To specify a part of a country (eg county or part of a city).			
X		3229 Country sub-entity name code	C	an..9	
		Code specifying the name of a country sub-entity.			
X		1131 Code list identification code	C	an..17	
		Code identifying a code list.			
X		3055 Code list responsible agency code	C	an..3	
		Code specifying the agency responsible for a code list.			
X		3228 Country sub-entity name	C	an..35	
		Name of a country sub-entity.			
X	3251	POSTAL IDENTIFICATION CODE	C	1	an..17
X	3207	COUNTRY NAME CODE	C	1	an..3

3.7 Group: **GID Segment Group 6: Goods Item Details**

Position: 0250
Group:
Level: 1
Usage: Conditional (Required)
Max Use: 999
Purpose: A group of segments to describe the goods items (to be) stuffed in or (to be) stripped from the containers.

Segment Summary

	<u>Pos. No.</u>	<u>Seg. ID</u>	<u>Name</u>	<u>Req. Des.</u>	<u>Max. Use</u>	<u>Group: Repeat</u>
M	0260	GID	Goods Item Details	M	1	
D	0280	FTX	Free Text	C	9	

3.7.1 Segment: GID Goods Item Details

Position: 0260 (Trigger Segment)
Group: Segment Group 6 (Goods Item Details) Conditional (Required)
Level: 1
Usage: Mandatory
Max Use: 1
Purpose: A segment to identify a goods item (to be) stuffed in or (to be) stripped from the containers. A goods item can be identified by a goods item number.

Comments:

Notes: Example Syntax:

GID+1'

Data Element Summary

	<u>Data Element</u>	<u>Component Element</u>	<u>Name</u>	<u>Attributes</u>	
				C	n..
R	1496		GOODS ITEM NUMBER To specify a goods item within a consignment. The provided value is always '1'.	C	1 n..5
X	C213		NUMBER AND TYPE OF PACKAGES Number and type of individual parts of a shipment.	C	1
X		7224	Package quantity To specify the number of packages.	C	n..8
X		7065	Package type description code Code specifying the type of package.	C	an..17
X		1131	Code list identification code Code identifying a code list.	C	an..17
X		3055	Code list responsible agency code Code specifying the agency responsible for a code list.	C	an..3
X		7064	Type of packages Description of the form in which goods are presented.	C	an..35
X		7233	Packaging related description code Code specifying information related to packaging.	C	an..3
X	C213		NUMBER AND TYPE OF PACKAGES Number and type of individual parts of a shipment.	C	1
X		7224	Package quantity To specify the number of packages.	C	n..8
X		7065	Package type description code Code specifying the type of package.	C	an..17
X		1131	Code list identification code Code identifying a code list.	C	an..17
X		3055	Code list responsible agency code Code specifying the agency responsible for a code list.	C	an..3
X		7064	Type of packages Description of the form in which goods are presented.	C	an..35
X		7233	Packaging related description code Code specifying information related to packaging.	C	an..3

X	C213	NUMBER AND TYPE OF PACKAGES	C	1	Number and type of individual parts of a shipment.
X		7224 Package quantity	C	n..8	To specify the number of packages.
X		7065 Package type description code	C	an..17	Code specifying the type of package.
X		1131 Code list identification code	C	an..17	Code identifying a code list.
X		3055 Code list responsible agency code	C	an..3	Code specifying the agency responsible for a code list.
X		7064 Type of packages	C	an..35	Description of the form in which goods are presented.
X		7233 Packaging related description code	C	an..3	Code specifying information related to packaging.
X	C213	NUMBER AND TYPE OF PACKAGES	C	1	Number and type of individual parts of a shipment.
X		7224 Package quantity	C	n..8	To specify the number of packages.
X		7065 Package type description code	C	an..17	Code specifying the type of package.
X		1131 Code list identification code	C	an..17	Code identifying a code list.
X		3055 Code list responsible agency code	C	an..3	Code specifying the agency responsible for a code list.
X		7064 Type of packages	C	an..35	Description of the form in which goods are presented.
X		7233 Packaging related description code	C	an..3	Code specifying information related to packaging.
X	C213	NUMBER AND TYPE OF PACKAGES	C	1	Number and type of individual parts of a shipment.
X		7224 Package quantity	C	n..8	To specify the number of packages.
X		7065 Package type description code	C	an..17	Code specifying the type of package.
X		1131 Code list identification code	C	an..17	Code identifying a code list.
X		3055 Code list responsible agency code	C	an..3	Code specifying the agency responsible for a code list.
X		7064 Type of packages	C	an..35	Description of the form in which goods are presented.
X		7233 Packaging related description code	C	an..3	Code specifying information related to packaging.

3.7.2 Segment: FTX Free Text

Position: 0280
Group: Segment Group 6 (Goods Item Details) Conditional (Required)
Level: 2
Usage: Conditional (Dependent)
Max Use: 9
Purpose: A segment to describe the goods item or to provide special instructions.
Comments:
Notes: Example Syntax:

FTX+AAA+++MACHINERY?:AIR CONDITIONING MACHINERY'
 FTX+AAI+++NAC?: BUNDLE NAME ACCOUNT'

Data Element Summary

	<u>Data Element</u>	<u>Component Element</u>	<u>Name</u>	<u>Attributes</u>
M	4451		TEXT SUBJECT CODE QUALIFIER Code qualifying the subject of the text. Provided values:	M 1 an..3
		AAA	Goods description [7002] Plain language description of the nature of the goods sufficient to identify them at the level required for transport purposes.	
		AAI	General information	
X	4453		FREE TEXT FUNCTION CODE	C 1 an..3
X	C107		TEXT REFERENCE Coded reference to a standard text and its source.	C 1
X		4441	Free text value code Code specifying free form text.	M an..17
X		1131	Code list identification code Code identifying a code list.	C an..17
X		3055	Code list responsible agency code Code specifying the agency responsible for a code list.	C an..3
R	C108		TEXT LITERAL Free text; one to five lines.	C 1
M		4440	Free text value Free form text.	M an..512
X		4440	Free text value	C an..512
X		4440	Free text value	C an..512
X		4440	Free text value	C an..512
X	3453		LANGUAGE NAME CODE	C 1 an..3
X	4447		FREE TEXT FORMAT CODE	C 1 an..3

3.8 Group: EQD Segment Group 13: Equipment Details

Position: 0540
Group:
Level: 1
Usage: Mandatory
Max Use: 9999
Purpose: A group of segments to specify (groups of) containers (with guidelines) in which goods are transported.

Segment Summary

	<u>Pos. No.</u>	<u>Seg. ID</u>	<u>Name</u>	<u>Req. Des.</u>	<u>Max. Use</u>	<u>Group: Repeat</u>
M	0550	EQD	Equipment Details	M	1	
R	0570	EQN	Number of Units	C	1	
D	0610	LOC	Place/Location Identification	C	9	
R	0620	MEA	Measurements	C	9	
D	0630	DIM	Dimensions	C	9	
R	0640		Segment Group 14: Temperature	C		9
D	0680	FTX	Free Text	C	9	
R	0700		Segment Group 15: Dangerous Goods	C		99

3.8.1 Segment: EQD Equipment Details

Position: 0550 (Trigger Segment)
Group: Segment Group 13 (Equipment Details) **Mandatory**
Level: 1
Usage: Mandatory
Max Use: 1
Purpose: A segment to specify a container or group of containers, with container size and type and full/empty indication..

Comments:

Notes: Example Syntax:

```
EQD+CN+HASU1086957+22G1:102:5+2+2+5'
EQD+BB++++2+5'
```

Data Element Summary

	<u>Data Element</u>	<u>Component Element</u>	<u>Name</u>	<u>Attributes</u>
M	8053		EQUIPMENT TYPE CODE QUALIFIER Code qualifying a type of equipment. Provided values: BB Break Bulk CN Container	M 1 an..3
R	C237		EQUIPMENT IDENTIFICATION Marks (letters/numbers) identifying equipment.	C 1
R		8260	Equipment identifier To identify equipment.	C an..17
X		1131	Code list identification code	C an..17
X		3055	Code list responsible agency code	C an..3
X		3207	Country name code	C an..3
R	C224		EQUIPMENT SIZE AND TYPE Code and or name identifying size and type of equipment. Code preferred.	C 1
R		8155	Equipment size and type description code Code specifying the size and type of equipment. Refer to ISO-6346 for acceptable code values.	C an..10

R		1131	Code list identification code	C	an..17
			Code identifying a code list.		
			Provided values:		
		102	Size and type		
R		3055	Code list responsible agency code	C	an..3
			Code specifying the agency responsible for a code list.		
			Provided values:		
		5	ISO (International Organization for Standardization)		
X		8154	Equipment size and type description	C	an..35
R	8077		EQUIPMENT SUPPLIER CODE	C	1 an..3
			Code specifying the party that is the supplier of the equipment.		
			Provided values:		
		1	Shipper supplied The transport equipment is supplied by the shipper.		
		2	Carrier supplied The transport equipment is supplied by the carrier.		
R	8249		EQUIPMENT STATUS CODE	C	1 an..3
			Code specifying the status of equipment.		
			Provided values:		
		2	Export Transport equipment to be exported on a marine vessel.		
		6	Transshipment Transport equipment is to be transferred from one marine vessel to another.		
R	8169		FULL OR EMPTY INDICATOR CODE	C	1 an..3
			Code indicating whether an object is full or empty.		
			Provided values:		
		4	Empty		
		5	Full		

3.8.2 Segment: EQN Number of Units

Position: 0570
Group: Segment Group 13 (Equipment Details) Mandatory
Level: 2
Usage: Conditional (Required)
Max Use: 1
Purpose: A segment to specify the number of containers of the same size and type in case of equipment guidelines.

Comments:

Notes: Example Syntax:

EQN+5+2'

Data Element Summary

	<u>Data Element</u>	<u>Component Element</u>	<u>Name</u>	<u>Attributes</u>
M	C523		NUMBER OF UNIT DETAILS Identification of number of units and its purpose.	M 1
R		6350	Units quantity To specify the number of units.	C n..15
R		6353	Unit type code qualifier Code qualifying the type of unit.	C an..3
			Provided values:	
			2 Transportable unit	

3.8.3 Segment: LOC Place/Location Identification

Position: 0610
Group: Segment Group 13 (Equipment Details) **Mandatory**
Level: 2
Usage: Conditional (Dependent)
Max Use: 9
Purpose: A segment to specify ports/locations associated with the sea transport of a container in case of export, such as: - place of discharge - transhipment place

Comments:

Notes: Example Syntax:
 LOC+11+[UN/LOCODE]:139:6:[CITY]+[SMDG_CODE]:72:306:[FACILITY]
 LOC+9+[UN/LOCODE]:139:6:[CITY]+[SMDG_CODE]:72:306:[FACILITY]

Data Element Summary

	<u>Data Element</u>	<u>Component Element</u>	<u>Name</u>	<u>Attributes</u>
M	3227		LOCATION FUNCTION CODE QUALIFIER Code identifying the function of a location. Provided values:	M 1 an..3
			8 Place of destination Port, airport or other location to which a means of transport or transport equipment is destined.	
			11 Place/port of discharge (3392 + 3414) Seaport, airport, freight terminal, rail station or other place at which the goods (cargo) are unloaded from the means of transport having been used for their carriage.	
R	C517		LOCATION IDENTIFICATION Identification of a location by code or name.	C 1
R		3225	Location name code Code specifying the name of the location. The provided value is a UN/LOCODE.	C an..25
R		1131	Code list identification code Code identifying a code list. Provided values:	C an..17
			139 Port A location having facilities for means of transport to load or discharge cargo.	
R		3055	Code list responsible agency code Code specifying the agency responsible for a code list. Provided values:	C an..3
			6 UN/ECE (United Nations - Economic Commission for Europe)	
R		3224	Location name Name of the location.	C an..256
R	C519		RELATED LOCATION ONE IDENTIFICATION Identification the first related location by code or name.	C 1

R		3223	First related location name code	C	an..25
			Code specifying first related location.		
R		1131	Code list identification code	C	an..17
			Code identifying a code list.		
			Provided values:		
		72	Container terminal		
			Codes for container terminal.		
R		3055	Code list responsible agency code	C	an..3
			Code specifying the agency responsible for a code list.		
			Provided values:		
		306	SMDG (Ship-planning Message Design Group)		
R		3222	First related location name	C	an..70
			Name of first related location.		
X	C553		RELATED LOCATION TWO IDENTIFICATION	C	1
			Identification of second related location by code or name.		
X		3233	Second related location name code	C	an..25
			Code specifying the second related location.		
X		1131	Code list identification code	C	an..17
			Code identifying a code list.		
X		3055	Code list responsible agency code	C	an..3
			Code specifying the agency responsible for a code list.		
X		3232	Second related location name	C	an..70
			Name of the second related location.		
X	5479		RELATION CODE	C	1 an..3

3.8.4 Segment: **MEA Measurements**

Position: 0620
Group: Segment Group 13 (Equipment Details) Mandatory
Level: 2
Usage: Conditional (Required)
Max Use: 9
Purpose: A segment to specify measurement, other than dimensions, associated with the container, such as: - tare weight - gross weight

Comments:

Notes: Example Syntax:
 MEA+AAE+VGM+KGM:21460'
 MEA+AAE+AAS+MTQ:15'
 MEA+AAE+AAO+PCT:80'

Data Element Summary

	<u>Data Element</u>	<u>Component Element</u>	<u>Name</u>	<u>Attributes</u>
M	6311		MEASUREMENT PURPOSE CODE QUALIFIER Code qualifying the purpose of the measurement. Provided values: AAE Measurement [6314] Value of the measured unit.	M 1 an..3
R	C502		MEASUREMENT DETAILS Identification of measurement type.	C 1
R		6313	Measured attribute code Code specifying the attribute measured. Provided values: AAO Humidity AAS Air flow BRL Carbon Dioxide G Gross weight [6292] Weight (mass) of goods including packing but excluding the carrier's equipment. VGM Verified Gross Mass ZO Oxygen	C an..3
X		6321	Measurement significance code	C an..3
X		6155	Non-discrete measurement name code	C an..17
X		6154	Non-discrete measurement name	C an..70
R	C174		VALUE/RANGE Measurement value and relevant minimum and maximum values of the measurement range.	C 1
M		6411	Measurement unit code Code specifying the unit of measurement. Provided values: KGM Kilogram MTQ Cubic metre PCT Percentage	M an..3

R	6314	Measurement value To specify the value of a measurement.	C	an..18
X	6162	Range minimum value	C	n..18
X	6152	Range maximum value	C	n..18
X	6432	Significant digits quantity	C	n..2
X	7383	SURFACE OR LAYER CODE	C	1 an..3

3.8.5 Segment: DIM Dimensions

Position: 0630
Group: Segment Group 13 (Equipment Details) **Mandatory**
Level: 2
Usage: Conditional (Dependent)
Max Use: 9
Purpose: A segment to specify dimensions applicable to a goods item, such as - off - standard dimensions, general - off-standard dimensions, front - off-standard dimensions, rear - off-standard dimensions, right - off-standard dimensions, left - off-standard dimensions, height

Comments:

Notes: Example Syntax:
 DIM+1+CMT:1250:325:250'
 DIM+5+CMT:10'
 DIM+7+CMT::27'
 DIM+8+CMT::38'
 DIM+13+CMT:::53'

Data Element Summary

	<u>Data Element</u>	<u>Component Element</u>	<u>Name</u>	<u>Attributes</u>
M	6145		DIMENSION TYPE CODE QUALIFIER Code qualifying the type of the dimension. Provided values:	M 1 an..3
			1 Gross dimensions (only used for Break Bulk) The dimension expressed in a gross value.	
			5 Off-standard dimension front The dimension in the length that the cargo exceeds the standard length at the front of an equipment.	
			6 Off-standard dimension back The dimension in the length that the cargo exceeds the standard length at the back of an equipment.	
			7 Off-standard dimension right The dimension in the width that the cargo exceeds the standard width at the right side of an equipment.	
			8 Off-standard dimension left The dimension in the width that the cargo exceeds the standard width at the left side of an equipment.	
			13 Off-standard dimensions height The dimension in the height that the cargo exceeds the standard height at the top of a piece of equipment.	
M	C211		DIMENSIONS Specification of the dimensions of a transportable unit.	M 1
M		6411	Measurement unit code Code specifying the unit of measurement. Provided values:	M an..3
			CMT Centimetre	

R	6168	Length dimension value To specify the value of a length dimension.	C	n..15
R	6140	Width dimension value To specify the value of a width dimension.	C	n..15
R	6008	Height dimension value To specify the value of a height dimension.	C	n..15

3.8.6 Group: **TMP** Segment Group 14: Temperature

Position: 0640
Group: Segment Group 13 (Equipment Details) Mandatory
Level: 2
Usage: Conditional (Dependent)
Max Use: 9
Purpose: A segment group to identify transport related temperature settings

Segment Summary

	Pos. No.	Seg. ID	Name	Req. Des.	Max. Use	Group: Repeat
M	0650	TMP	Temperature	M	1	
D	0660	RNG	Range Details	C	1	

3.8.6.1 Segment: **TMP** Temperature

Position: 0650 (Trigger Segment)
Group: Segment Group 14 (Temperature) Conditional (Dependent)
Level: 2
Usage: Mandatory
Max Use: 1
Purpose: A segment to specify the transport temperature setting of a container.
Comments:
Notes: Example Syntax:

TMP+1+15:CEL'

Data Element Summary

	<u>Data Element</u>	<u>Component Element</u>	<u>Name</u>	<u>Attributes</u>
M	6245		TEMPERATURE TYPE CODE QUALIFIER Code qualifying the type of a temperature. Provided values: 1 Storage temperature The temperature at which the cargo is to be kept while it is in storage.	M 1 an..3
R	C239		TEMPERATURE SETTING The temperature under which the goods are (to be) stored or shipped.	C 1
R		6246	Temperature value To specify the value of a temperature.	C n..15
R		6411	Measurement unit code Code specifying the unit of measurement. Provided values: CEL Celsius	C an..3

3.8.6.2 Segment: **RNG** Range Details

Position: 0660
Group: Segment Group 14 (Temperature) Conditional (Dependent)
Level: 3
Usage: Conditional (Dependent)
Max Use: 1
Purpose: A segment to specify the transport temperature range or the pre-tripping range of a container.

Comments:

Notes: Example Syntax:
 RNG+5+CEL:10:20'

Data Element Summary

	<u>Data Element</u>	<u>Component Element</u>	<u>Name</u>	<u>Attributes</u>
M	6167		RANGE TYPE CODE QUALIFIER Code qualifying a type of range. Provided values: 5 Temperature range The range of a temperature.	M 1 an..3
R	C280		RANGE Range minimum and maximum limits.	C 1
M		6411	Measurement unit code Code specifying the unit of measurement. Provided values: CEL Celsius	M an..3
R		6162	Range minimum value To specify the minimum value of a range.	C n..18
R		6152	Range maximum value To specify the maximum value of a range.	C n..18

3.8.7 Segment: FTX Free Text

Position: 0680
Group: Segment Group 13 (Equipment Details) Mandatory
Level: 2
Usage: Conditional (Dependent)
Max Use: 9
Purpose: A segment to specify processable supplementary information associated with the container, such as: - loading instructions (seagoing vessel) - special instructions (related to inland transport) - container order information (conditions to be checked) - remarks

Comments:

Notes: Example Syntax:
 FTX+ACF++DRY'
 FTX+HAN+++HS/UD'

Data Element Summary

	<u>Data Element</u>	<u>Component Element</u>	<u>Name</u>	<u>Attributes</u>
M	4451		TEXT SUBJECT CODE QUALIFIER Code qualifying the subject of the text. Provided values: ACF Additional attribute information The text refers to information about an additional attribute not otherwise specified. HAN Handling instructions [4078] Instructions on how specified goods, packages or containers should be handled.	M 1 an..3
X	4453		FREE TEXT FUNCTION CODE	C 1 an..3
R	C107		TEXT REFERENCE Coded reference to a standard text and its source.	C 1
M		4441	Free text value code Code specifying free form text. Provided values: DRY Non-Operating Reefer RCO Reefer Connection/Electricity Origin	M an..17
X		1131	Code list identification code	C an..17
X		3055	Code list responsible agency code	C an..3

R	C108	TEXT LITERAL	C	1
		Free text; one to five lines.		
M	4440	Free text value	M	an..512
		Free form text.		
		Provided values (multiple values, separated by slash might occur):		
		BD Bundled		
		BP Special stowage blood plasma		
		DM Damaged empty		
		DO Special stowage door off		
		FT Flexitank		
		HS Stow away from heat sources		
		OD On deck stowage		
		PS Protected stowage		
		SG Special handling gear required		
		ST Special stowage		
		TS Top stowage		
		UB Used as bed		
		UD Under deck stowage		
		VS Valuable stow		
X	4440	Free text value	C	an..512
X	4440	Free text value	C	an..512
X	4440	Free text value	C	an..512
X	4440	Free text value	C	an..512
X	3453	LANGUAGE NAME CODE	C	1 an..3
X	4447	FREE TEXT FORMAT CODE	C	1 an..3

3.8.8 Group: **DGS** Segment Group 15: Dangerous Goods

Position: 0700
Group: Segment Group 13 (Equipment Details) Mandatory
Level: 2
Usage: Conditional (Dependent)
Max Use: 99
Purpose: A segment group to identify dangerous goods.

Segment Summary

	Pos. No.	Seg. ID	Name	Req. Des.	Max. Use	Group: Repeat
M	0710	DGS	Dangerous Goods	M	1	
D	0720	FTX	Free Text	C	9	

3.8.9 Segment: **DGS Dangerous Goods**

Position: 0710 (Trigger Segment)
Group: Segment Group 15 (Dangerous Goods) Conditional (Dependent)
Level: 2
Usage: Mandatory
Max Use: 1
Purpose: A segment to specify dangerous goods.
Comments:
Notes: Example Syntax:

DGS+IMD+5.1+3149+85:CEL++F-AS-B'

Data Element Summary

	<u>Data Element</u>	<u>Component Element</u>	<u>Name</u>	<u>Attributes</u>
R	8273		DANGEROUS GOODS REGULATIONS CODE Code specifying a dangerous goods regulation. Provided values: IMD IMO IMDG code Regulations regarding the transportation of dangerous goods on ocean-going vessels issued by the International Maritime Organization.	C 1 an..3
R	C205		HAZARD CODE The identification of the dangerous goods in code.	C 1
M		8351	Hazard identification code Code identifying a hazard.	M an..7
X		8078	Additional hazard classification identifier	C an..7
X		8092	Hazard code version identifier	C an..10
R	C234		UNDG INFORMATION Information on dangerous goods, taken from the United Nations Dangerous Goods classification.	C 1
R		7124	United Nations Dangerous Goods (UNDG) identifier The unique serial number assigned within the United Nations to substances and articles contained in a list of the dangerous goods most commonly carried.	C n4
X		7088	Dangerous goods flashpoint value	C an..8
R	C223		DANGEROUS GOODS SHIPMENT FLASHPOINT Temperature at which a vapour can be ignited as per ISO 1523/73.	C 1
R		7106	Shipment flashpoint value To specify the value of the flashpoint of a shipment.	C n3
R		6411	Measurement unit code Code specifying the unit of measurement. Provided values: CEL Celsius	C an..3
X	8339		PACKAGING DANGER LEVEL CODE	C 1 an..3
R	8364		EMERGENCY PROCEDURE FOR SHIPS IDENTIFIER To identify the emergency procedure number for ships transporting	C 1 an..6

		dangerous goods. Synonym: EMS Number.		
X	8410	HAZARD MEDICAL FIRST AID GUIDE IDENTIFIER	C	1 an..4
X	8126	TRANSPORT EMERGENCY CARD IDENTIFIER	C	1 an..10
X	C235	HAZARD IDENTIFICATION PLACARD DETAILS	C	1
		These numbers appear on the hazard identification placard required on the means of transport.		
X	8158	Orange hazard placard upper part identifier	C	an..4
		To specify the identity number for the upper part of the orange hazard placard required on the means of transport.		
X	8186	Orange hazard placard lower part identifier	C	an4
		To specify the identity number for the lower part of the orange hazard placard required on the means of transport.		
X	C236	DANGEROUS GOODS LABEL	C	1
		Markings identifying the type of hazardous goods and similar information.		
X	8246	Dangerous goods marking identifier	C	an..4
		To identify the marking of dangerous goods.		
X	8246	Dangerous goods marking identifier	C	an..4
		To identify the marking of dangerous goods.		
X	8246	Dangerous goods marking identifier	C	an..4
		To identify the marking of dangerous goods.		
X	8255	PACKING INSTRUCTION TYPE CODE	C	1 an..3
X	8325	HAZARDOUS MEANS OF TRANSPORT CATEGORY CODE	C	1 an..3
X	8211	HAZARDOUS CARGO TRANSPORT AUTHORISATION CODE	C	1 an..3

3.8.9.1 Segment: **FTX Free Text**

Position: 0720
Group: Segment Group 15 (Dangerous Goods) Conditional (Dependent)
Level: 3
Usage: Conditional (Dependent)
Max Use: 9
Purpose: A segment to specify supplementary details regarding the dangerous goods such as the technical name of the dangerous goods etc.

Comments:

Notes: Example Syntax:
 FTX+AAD++P+CITRIC ACID'
 FTX+AAC++TLQ+DANGEROUS GOODS TRANSPORTED IN LIMITED QUANTITIES'

Data Element Summary

	<u>Data Element</u>	<u>Component Element</u>	<u>Name</u>	<u>Attributes</u>
M	4451		TEXT SUBJECT CODE QUALIFIER Code qualifying the subject of the text. Provided values: AAC Dangerous goods additional information Additional information concerning dangerous goods. AAD Dangerous goods, technical name Proper shipping name, supplemented as necessary with the correct technical name, by which a dangerous substance or article may be correctly identified or which is sufficiently informative to permit identification by reference to generally available literature.	M 1 an..3
X	4453		FREE TEXT FUNCTION CODE	C 1 an..3
R	C107		TEXT REFERENCE Coded reference to a standard text and its source.	C 1
M		4441	Free text value code Code specifying free form text. Provided values: P Marine pollutant PP Severe marine pollutant TLQ Transporting limited quantities	M an..17
X		1131	Code list identification code	C an..17
X		3055	Code list responsible agency code	C an..3
R	C108		TEXT LITERAL Free text; one to five lines.	C 1
M		4440	Free text value Free form text.	M an..512
X		4440	Free text value	C an..512
X		4440	Free text value	C an..512
X		4440	Free text value	C an..512

X		4440	Free text value	C	an..512
X	3453		LANGUAGE NAME CODE	C	1 an..3
X	4447		FREE TEXT FORMAT CODE	C	1 an..3

3.8.9.2 Segment: **CNT Control Total**

Position: 0970
Group:
Level: 0
Usage: Conditional (Required)
Max Use: 1
Purpose: A segment to specify the number of containers in the message, explicitly given by the sender.

Comments:

Notes: Example Syntax:

CNT+16:5'

Data Element Summary

	<u>Data Element</u>	<u>Component Element</u>	<u>Name</u>	<u>Attributes</u>
M	C270		CONTROL Control total for checking integrity of a message or part of a message.	M 1
M		6069	Control total type code qualifier Code qualifying the type of control of hash total. Provided values: 16 Total number of equipment Total number of equipment mentioned in the message.	M an..3
M		6066	Control total value To specify the value of a control quantity.	M n..18
X		6411	Measurement unit code	C an..3

3.9 Segment: **UNT Message Trailer**

Position: 0980
Group:
Level: 0
Usage: Mandatory
Max Use: 1
Purpose: To end and check the completeness of a message, giving the total number of segments in the message (including the UNH & UNT) and the control reference number of the message.

Comments:

Notes: Example Syntax:

UNT+24+210987'

Data Element Summary

	<u>Data Element</u>	<u>Component Element</u>	<u>Name</u>	<u>Attributes</u>
M	0074		NUMBER OF SEGMENTS IN A MESSAGE Control count of number of segments in a message.	M 1 n..6
M	0062		MESSAGE REFERENCE NUMBER Unique message reference assigned by the sender.	M 1 an..14

3.10 Segment: UNZ Interchange Trailer

Position: 0990
Group:
Level: 0
Usage: Conditional (Required)
Max Use: 1
Purpose: To end and check the completeness of an interchange, giving the total number of messages and the control reference number of the interchange.

Comments:

Notes: Example Syntax:

UNZ+1+321789'

Data Element Summary

	Data Component		Name	Attributes
	<u>Element</u>	<u>Element</u>		
M	0036		INTERCHANGE CONTROL COUNT	M 1 n..6
			Count either of the number of messages or, if used, of the number of functional groups in an interchange.	
M	0020		INTERCHANGE CONTROL REFERENCE	M 1 an..14
			Unique reference assigned by the sender to an interchange.	

4 Example Messages

Bold printed elements contain values, which depend on the message receiver's data.

4.1 Basic COPARN Example

```

UNB+UNOC:3+HSD+[RECEIVER_ID]+190306:1535+999902'
UNH+229500+COPARN:D:00B:UN:SMDG20'
BGM+126+194921+9'
DTM+137:201903061535:203'
RFF+BN:9TRY000102'
DTM+36:200306:101'
TDT+20+1802+1++HSD:172:306:HAMBURG SUD+++9308637:146:11:MAERSK SOFIA'
RFF+VON:809E'
RFF+VM:9V5247'
LOC+9+[UN/LOCODE_1]:139:6:[CITY_POL]+[SMDG_CODE_POL]:72:306:[FACILITY_NAME_POL]'
LOC+11+[UN/LOCODE_2]:139:6:[CITY_POD]+[SMDG_CODE_POD]:72:306:[FACILITY_NAME_POD]'
NAD+CA+HSD:172:306+HAMBURG SUD'
NAD+CF+HSD:160:306+HAMBURG SUD'
NAD+CG+HSD:160:306+HAMBURG SUD'
NAD+CZ++SHIPPER NAME DUMMY'
NAD+FW+123454321+FORWARDER NAME DUMMY'
NAD+MR+[FACILITY_NAME_POL]:160:87'
NAD+MS+HSD:160:306+HAMBURG SUD'
GID+1'
FTX+AAA+++MACHINERY?:AIR CONDITIONING MACHINERY'
FTX+AAI+++NAC?: BUNDLE NAME ACCOUNT'
EQD+CN+HASU4519201+45G1:102:5+2+2+5'
EQN+1:2'
LOC+11+[UN/LOCODE_2]:139:6:[CITY_POD]+[SMDG_CODE_POD]:72:306:[FACILITY_NAME_POD]'
LOC+8+USHOU:139:6:HOUSTON+PLD:72:306:DUMMY PLD FACILITY'
MEA+AAE+G+KGM:10500'
MEA+AAE+VGM+KGM:10500'
EQD+CN++45G1:102:5+2+2+5'

```

EQN+5:2'

LOC+11+[UN/LOCODE_2]:139:6:[CITY_POD]+[SMDG_CODE_POD]:72:306:[FACILITY_NAME_POD]'

MEA+AAE+G+KGM:10500'

EQD+CN+HASU4519202+45G1:102:5+1+6+4'

EQN+1:2'

LOC+11+[UN/LOCODE_2]:139:6:[CITY_POD]+[SMDG_CODE_POD]:72:306:[FACILITY_NAME_POD]'

MEA+AAE+G+KGM:4500'

CNT+16:3'

UNT+36+229500'

UNZ+1+999902'

4.2 Detailed REEFER COPARN Example

UNB+UNOC:3+HSD+[RECEIVER_ID]+190306:1535+999909'
 UNH+186876+COPARN:D:00B:UN:SMDG20'
 BGM+126+172259+9'
 DTM+137:201903061535:203'
 RFF+BN:9TRY000204'
 DTM+36:200306:101'
 TDT+20+809E+1++HSD:172:306:HAMBURG SUD+++9622227:146:11:CAP SAN LORENZO'
 RFF+VM:OXOF2'
 LOC+9+[UN/LOCODE_1]:139:6:[CITY_POL]+[SMDG_CODE_POL]:72:306:[FACILITY_NAME_POL]'
 LOC+11+[UN/LOCODE_2]:139:6:[CITY_POD]+[SMDG_CODE_POD]:72:306:[FACILITY_NAME_POD]'
 NAD+CA+HSD:172:306+HAMBURG SUD'
 NAD+CF+HSD:160:306+HAMBURG SUD'
 NAD+CG+HSD:160:306+HAMBURG SUD'
 NAD+CZ++SHIPPER NAME DUMMY'
 NAD+FW+123454321+FORWARDER NAME DUMMY'
 NAD+MR+[FACILITY_NAME_POL]:160:87'
 NAD+MS+HSD:160:306+HAMBURG SUD'
 GID+1'
 FTX+AAA+++FOOD?:CHOCOLATE(CHILLED)'
 FTX+AAI+++REEFER;TEMP?:?+15C / VENT?:CLOSE / NO CWI / NO PRECOOLING'
 EQD+CN+SUDU1033013+45R1:102:5+2+2+5'
 EQN+1:2'
 LOC+11+[UN/LOCODE_2]:139:6:[CITY_POD]+[SMDG_CODE_POD]:72:306:[FACILITY_NAME_POD]'
 MEA+AAE+G+KGM:7300'
 MEA+AAE+AAS+MTQ+15'
 MEA+AAE+AAO+PCT:80'
 MEA+AAE+BRL+PCT:8'
 MEA+AAE+ZO+PCT:12'
 TMP+1+15:CEL'
 RNG+5+CEL:10:20'
 FTX+ACF+++RCO'

EQD+CN+SUDU1033015+45R1:102:5+2+2+5'

EQN+1:2'

LOC+11+[UN/LOCODE_2]:139:6:[CITY_POD]+[SMDG_CODE_POD]:72:306:[FACILITY_NAME_POD]'

MEA+AAE+G+KGM:7300'

FTX+ACF++DRY'

CNT+16:2'

UNT+37+186876'

UNZ+1+999909'

4.3 Detailed DG COPARN Example

UNB+UNOC:3+HSD+[RECEIVER_ID]+190306:1535+999911'
 UNH+229500+COPARN:D:00B:UN:SMDG20'
 BGM+126+194921+9'
 DTM+137:201903061535:203'
 RFF+BN:9TRY000302'
 DTM+36:200306:101'
 TDT+20+809E+1++HSD:172:306:HAMBURG SUD+++9622227:146:11:CAP SAN LORENZO'
 RFF+VM:OXOF2'
 LOC+9+[UN/LOCODE_1]:139:6:[CITY_POL]+[SMDG_CODE_POL]:72:306:[FACILITY_NAME_POL]'
 LOC+11+[UN/LOCODE_2]:139:6:[CITY_POD]+[SMDG_CODE_POD]:72:306:[FACILITY_NAME_POD]'
 NAD+CA+HSD:172:306+HAMBURG SUD'
 NAD+CF+HSD:160:306+HAMBURG SUD'
 NAD+CG+HSD:160:306+HAMBURG SUD'
 NAD+CZ++SHIPPER NAME DUMMY'
 NAD+FW+123454321+FORWARDER NAME DUMMY'
 NAD+MR+[FACILITY_NAME_POL]:160:87'
 NAD+MS+HSD:160:306+HAMBURG SUD'
 GID+1'
 FTX+AAA+++MACHINERY?:AIR CONDITIONING MACHINERY'
 FTX+AAI+++NAC?: BUNDLE NAME ACCOUNT'
 EQD+CN+TCNU8376284+45G1:102:5+2+2+5'
 EQN+1:2'
 LOC+11+[UN/LOCODE_2]:139:6:[CITY_POD]+[SMDG_CODE_POD]:72:306:[FACILITY_NAME_POD]'
 MEA+AAE+G+KGM:21460'
 DGS+IMD+2.2+3164'
 FTX+AAD+++HYDRAULIC ARTICLES'
 FTX+AAC++TLQ+DANGEROUS GOODS TRANSPORTED IN LIMITED QUANTITIES'
 DGS+IMD+3+1170+028:CEL'
 FTX+AAD++P+ETHANOL'
 DGS+IMD+3+1139+-04:CEL++F-AS-B"
 FTX+AAD++PP+EPOXY RESIN, EPOXIDE DERIVATIVES'

EQD+CN+HASU1086957+22G1:102:5+2+2+5'

EQN+1:2'

LOC+11+[UN/LOCODE_2]:139:6:[CITY_POD]+[SMDG_CODE_POD]:72:306:[FACILITY_NAME_POD]'

MEA+AAE+G+KGM:21460'

DGS+IMD+5.1+2014'

FTX+AAD+++CITRIC ACID'

DGS+IMD+2.2+3164'

FTX+AAD+++HYDRAULIC ARTICLES'

FTX+AAC++TLQ+DANGEROUS GOODS TRANSPORTED IN LIMITED QUANTITIES'

CNT+16:2'

UNT+41+229500'

UNZ+1+999911'

4.4 OOG COPARN Example

UNB+UNOC:3+HSD+[RECEIVER_ID]+190306:1535+999914'
UNH+204697+COPARN:D:00B:UN:SMDG20'
BGM+126+181811+9'
DTM+137:201903061535:203'
RFF+BN:9TRY000401'
DTM+36:200306:101'
TDT+20+809E+1++HSD:172:306:HAMBURG SUD+++9622227:146:11:CAP SAN LORENZO'
RFF+VM:OXOF2'
LOC+9+[UN/LOCODE_1]:139:6:[CITY_POL]+[SMDG_CODE_POL]:72:306:[FACILITY_NAME_POL]'
LOC+11+[UN/LOCODE_2]:139:6:[CITY_POD]+[SMDG_CODE_POD]:72:306:[FACILITY_NAME_POD]'
NAD+CA+HSD:172:306+HAMBURG SUD'
NAD+CF+HSD:160:306+HAMBURG SUD'
NAD+CG+HSD:160:306+HAMBURG SUD'
NAD+CZ++SHIPPER NAME DUMMY'
NAD+FW+123454321+FORWARDER NAME DUMMY'
NAD+MR+[FACILITY_NAME_POL]:160:87'
NAD+MS+HSD:160:306+HAMBURG SUD'
GID+1'
FTX+AAA+++MACHINERY?:(NOS,NEW)'
EQD+CN+SUDU4810009+45U1:102:5+2+2+5'
EQN+1:2'
LOC+11+[UN/LOCODE_2]:139:6:[CITY_POD]+[SMDG_CODE_POD]:72:306:[FACILITY_NAME_POD]'
MEA+AAE+G+KGM:22350'
DIM+5+CMT:10'
DIM+6+CMT:15'
DIM+7+CMT:::27'
DIM+8+CMT:::27'
DIM+13+CMT:::53'
CNT+16:1'
UNT+29+204697'
UNZ+1+999914'

4.5 Break Bulk COPARN Example

UNB+UNOC:3+HSD+[RECEIVER_ID]+190306:1535+999915'
UNH+204697+COPARN:D:00B:UN:SMDG20'
BGM+126+181811+9'
DTM+137:201903061535:203'
RFF+BN:9TRY000402'
DTM+36:200306:101'
TDT+20+809E+1++HSD:172:306:HAMBURG SUD+++9622227:146:11:CAP SAN LORENZO'
RFF+VM:OXOF2'
LOC+9+[UN/LOCODE_1]:139:6:[CITY_POL]+[SMDG_CODE_POL]:72:306:[FACILITY_NAME_POL]'
LOC+11+[UN/LOCODE_2]:139:6:[CITY_POD]+[SMDG_CODE_POD]:72:306:[FACILITY_NAME_POD]'
NAD+CA+HSD:172:306+HAMBURG SUD'
NAD+CF+HSD:160:306+HAMBURG SUD'
NAD+CG+HSD:160:306+HAMBURG SUD'
NAD+CZ++SHIPPER NAME DUMMY'
NAD+FW+123454321+FORWARDER NAME DUMMY'
NAD+MR+[FACILITY_NAME_POL]:160:87'
NAD+MS+HSD:160:306+HAMBURG SUD'
GID+1'
FTX+AAA+++VEHICLES:BOAT-BREAK BULK'
EQD+BB+MARITIMO 500 CONVERTIBLE+++2+5'
EQN+1:2'
LOC+11+[UN/LOCODE_2]:139:6:[CITY_POD]+[SMDG_CODE_POD]:72:306:[FACILITY_NAME_POD]'
MEA+AAE+G+KGM:7550'
DIM+1+CMT:850:250:325'
CNT+16:1'
UNT+25+204697'
UNZ+1+999915'